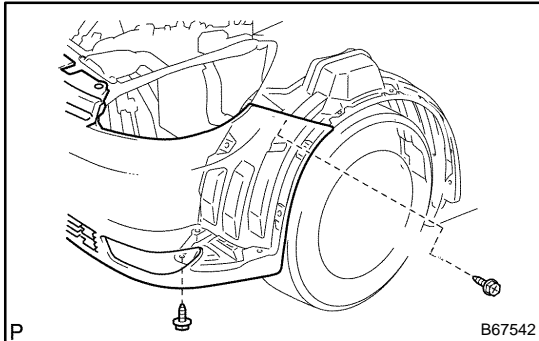


REPLACEMENT

HINT:

The installation is in the reverse order of the removal. However, when there is a special point concerning the installation, it is indicated.



1. REMOVE FRONT FENDER LINER LH

- (a) Remove the 2 screws.
- (b) Partially the fender liner.

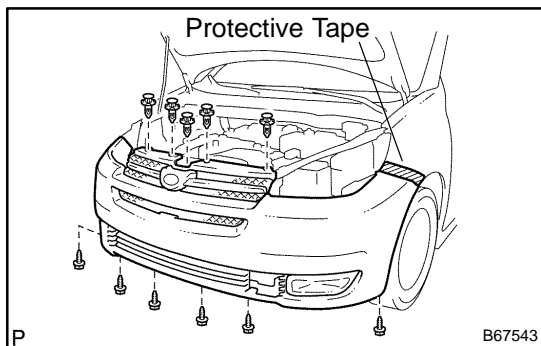
HINT:

Do not remove the fender liner completely but partially so that the bumper cover can be removed.

2. REMOVE FRONT FENDER LINER RH

HINT:

Use the same procedures above for the LH side.



3. REMOVE FRONT BUMPER COVER

- (a) Put protective tape under the front fender.
- (b) w/ Fog lamp:
Disconnect the fog lamp connectors.
- (c) Remove the 6 screws, 4 clips and the bumper cover.

4. REMOVE ULTRASONIC SENSOR NO.1 (LH)

- (a) Remove the bolt and sensor.

5. REMOVE ULTRASONIC SENSOR NO.1 (RH)

- (a) Remove the bolt and sensor.

6. REMOVE FRONT BUMPER ENERGY ABSORBER

7. REMOVE FRONT BUMPER REINFORCEMENT SUB-ASSY

- (a) Remove the 6 bolts and reinforcement.

8. REMOVE FRONT BUMPER SIDE SUPPORT LH

- (a) Remove the bolt.
- (b) Using a screwdriver, remove the side support.

HINT:

Tape the screwdriver tip before use.

9. REMOVE FRONT BUMPER SIDE SUPPORT RH

HINT:

Use the same procedures above for the LH side.

10. REMOVE RADIATOR GRILLE FINISH PLATE LH

- (a) Using a screwdriver, disengage the 3 claws and remove the finish plate.

HINT:

Tape the screwdriver tip before use.

11. REMOVE RADIATOR GRILLE FINISH PLATE RH

HINT:

Use the same procedures above for the LH side.

12. REMOVE RADIATOR GRILLE**13. REMOVE FRONT BUMPER EMBLEM****14. REMOVE FRONT BUMPER HOLE COVER LH (W/O FOG LAMP)****15. REMOVE FRONT BUMPER HOLE COVER RH (W/O FOG LAMP)****16. REMOVE FOG LAMP ASSY LH (W/ FOG LAMP)**

(a) Remove the nut and fog lamp.

17. REMOVE FOG LAMP ASSY RH (W/ FOG LAMP)

(a) Remove the nut and fog lamp.

18. REMOVE FRONT BUMPER COVER LOWER

(a) Disengage the 7 claws and remove the cover.

19. REMOVE FRONT BUMPER SIDE SEAL LH

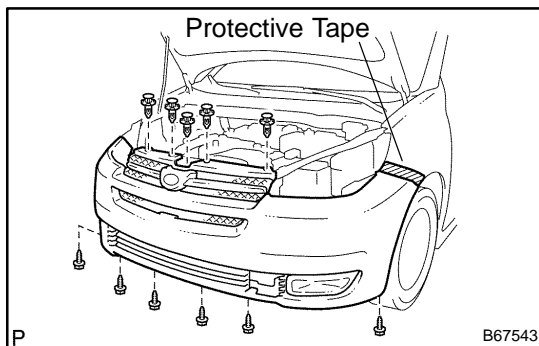
(a) Disengage the 6 claws and remove the side seal.

20. REMOVE FRONT BUMPER SIDE SEAL RH

(a) Disengage the 6 claws and remove the side seal.

21. INSTALL FRONT BUMPER REINFORCEMENT SUB-ASSY

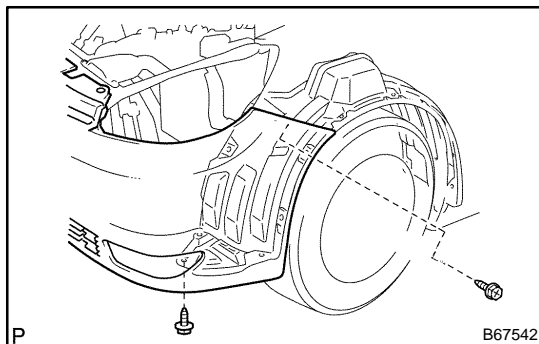
(a) Install the reinforcement with the 6 bolts.

Torque: 50 N·m (510 kgf·cm, 37 ft·lbf)**22. INSTALL FRONT BUMPER COVER**

(a) w/ Fog lamp:

Connect the fog lamp connectors.

(b) Install the cover with the 6 screws and 4 clips.

**23. INSTALL FRONT FENDER LINER LH**

(a) Install the fender liner with the 2 screws.

24. INSTALL FRONT FENDER LINER RH

HINT:

Use the same procedures above for the LH side.