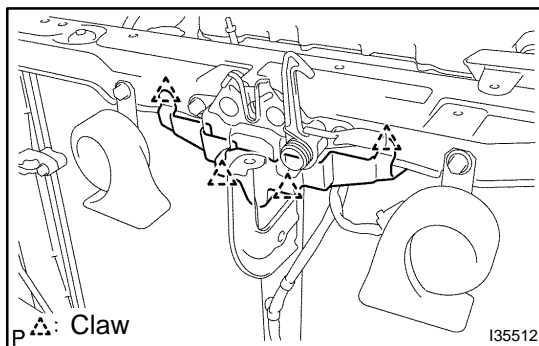


## NO.2 RADIATOR ASSY REPLACEMENT

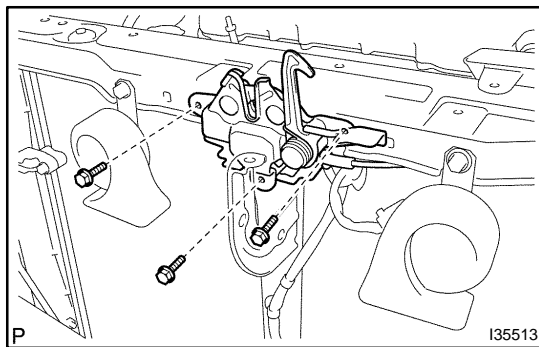
160M4-02

1. DRAIN COOLANT (See page 16-8 )
2. DISCONNECT RADIATOR HOSE INLET
3. DISCONNECT RADIATOR HOSE OUTLET
4. DISCONNECT OIL COOLER INLET HOSE NO.1
5. DISCONNECT OIL COOLER OUTLET HOSE NO.1
6. REMOVE FRONT BUMPER COVER (See page 76-2 )
7. REMOVE AIR CLEANER CAP SUB-ASSY (See page 19-5 )
8. REMOVE AIR CLEANER FILTER ELEMENT SUB-ASSY
9. REMOVE AIR CLEANER INLET NO.2 (See page 19-5 )
10. REMOVE AIR CLEANER CASE (See page 19-5 )
11. REMOVE AIR CLEANER BRACKET (See page 19-5 )
12. REMOVE AIR CLEANER INLET NO.1 (See page 19-5 )



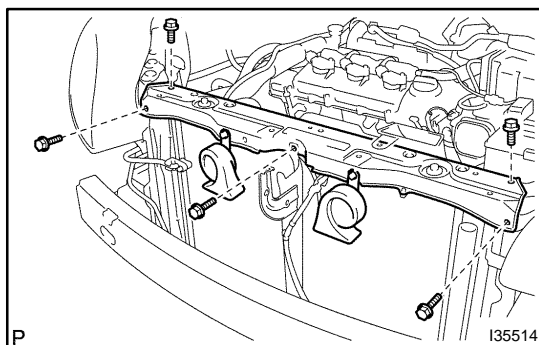
### 13. REMOVE HOOD LOCK RELEASE LEVER PROTECTOR

- (a) Release the 4 claws and remove the hood lock release lever protector.



### 14. REMOVE HOOD LOCK ASSY

- (a) Remove the 3 bolts and separate hood lock.

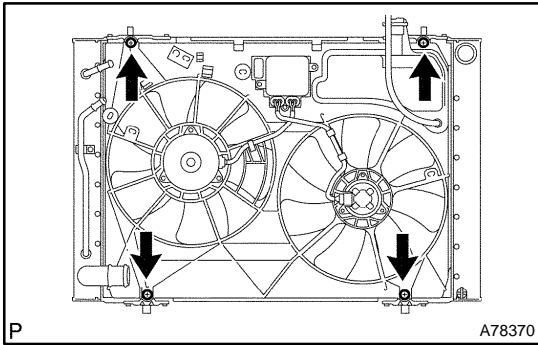


### 15. REMOVE RADIATOR SUPPORT SUB-ASSY UPPER

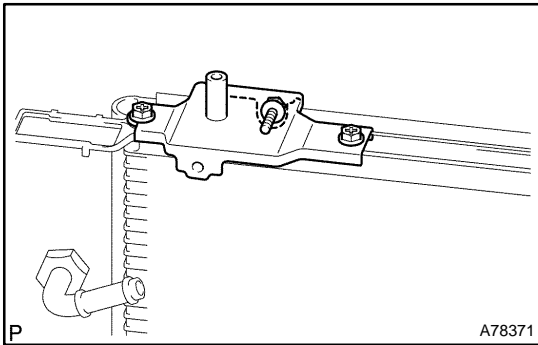
- (a) Disconnect the horn connectors.
- (b) Remove the 5 bolts and the radiator upper support.

### 16. REMOVE FAN SHROUD

- (a) Disconnect the engine coolant reservoir hose.
- (b) Disconnect the fan motor connector.

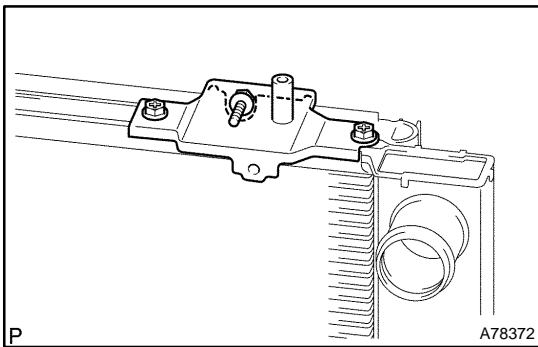


(c) Remove the 4 bolts and the fan shroud.



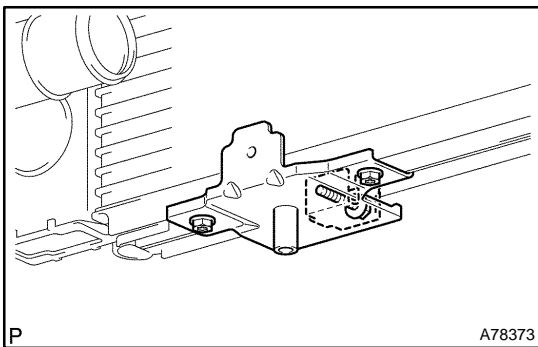
**17. REMOVE RADIATOR SUPPORT SUB-ASSY UPPER LH**

(a) Remove the 3 bolts and the radiator support upper LH.



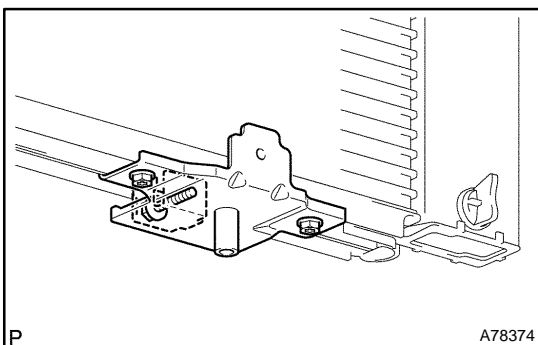
**18. REMOVE RADIATOR SUPPORT SUB-ASSY UPPER RH**

(a) Remove the 3 bolts and the radiator support upper RH.



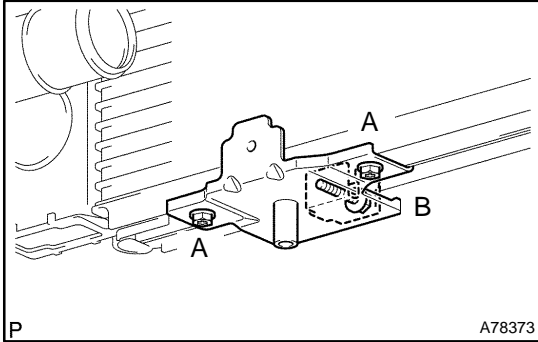
**19. REMOVE RADIATOR SUPPORT SUB-ASSY LOWER LH**

(a) Remove the 3 bolts and the radiator support lower LH.

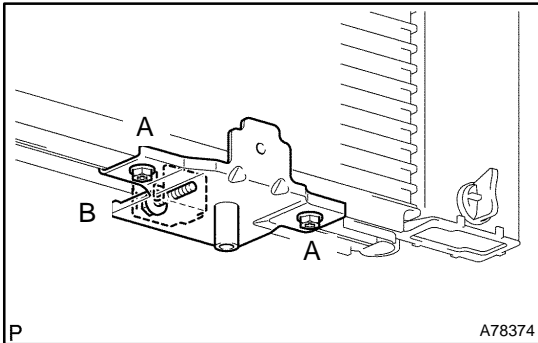


**20. REMOVE RADIATOR SUPPORT SUB-ASSY LOWER RH**

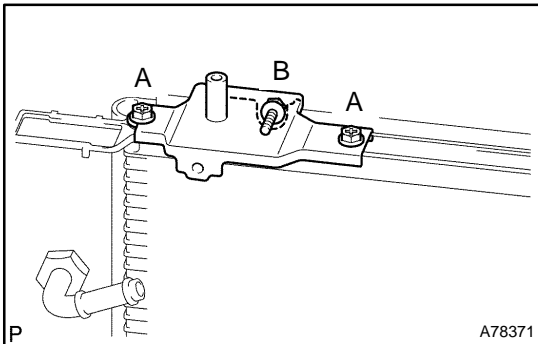
(a) Remove the 3 bolts and the radiator support lower RH.

**21. REMOVE NO.2 RADIATOR ASSY****22. INSTALL NO.2 RADIATOR ASSY****23. INSTALL RADIATOR SUPPORT SUB-ASSY LOWER LH**

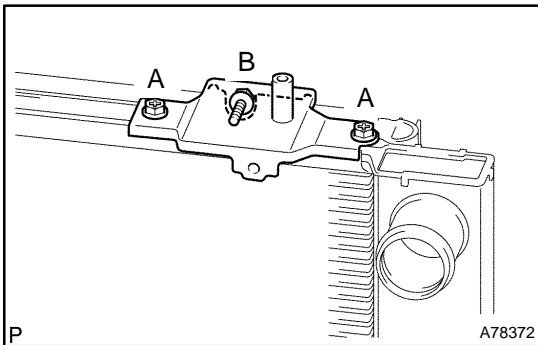
- (a) Install the radiator support lower LH with the 3 bolts.

**Torque:****Bolt A 5.0 N·m (51 kgf·cm, 44 in·lbf)****Bolt B 3.9 N·m (40 kgf·cm, 35 in·lbf)****24. INSTALL RADIATOR SUPPORT SUB-ASSY LOWER RH**

- (a) Install the radiator support lower RH with the 3 bolts.

**Torque:****Bolt A 5.0 N·m (51 kgf·cm, 44 in·lbf)****Bolt B 3.9 N·m (40 kgf·cm, 35 in·lbf)****25. INSTALL RADIATOR SUPPORT SUB-ASSY UPPER LH**

- (a) Install the radiator support upper LH with the 3 bolts.

**Torque:****Bolt A 5.0 N·m (51 kgf·cm, 44 in·lbf)****Bolt B 3.9 N·m (40 kgf·cm, 35 in·lbf)****26. INSTALL RADIATOR SUPPORT SUB-ASSY UPPER RH**

- (a) Install the radiator support upper RH with the 3 bolts.

**Torque:****Bolt A 5.0 N·m (51 kgf·cm, 44 in·lbf)****Bolt B 3.9 N·m (40 kgf·cm, 35 in·lbf)****27. INSTALL FAN SHROUD****Torque: 5.0 N·m (51 kgf·cm, 44 in·lbf)****28. INSTALL RADIATOR SUPPORT SUB-ASSY UPPER****Torque: 5.0 N·m (51 kgf·cm, 44 in·lbf)**

29. **INSTALL HOOD LOCK ASSY**  
Torque: 8.0 N·m (82 kgf·cm, 71 in·lbf)
30. **INSTALL AIR CLEANER INLET NO.1 (See page 19-5 )**
31. **INSTALL AIR CLEANER BRACKET (See page 19-5 )**
32. **INSTALL AIR CLEANER CASE (See page 19-5 )**
33. **INSTALL AIR CLEANER INLET NO.2 (See page 19-5 )**
34. **INSTALL AIR CLEANER CAP SUB-ASSY (See page 19-5 )**
35. **ADJUST HOOD SUB-ASSY (See page 75-2 )**
36. **ADD COOLANT (See page 16-8 )**
37. **CHECK FOR ENGINE COOLANT LEAKS (See page 16-1 )**